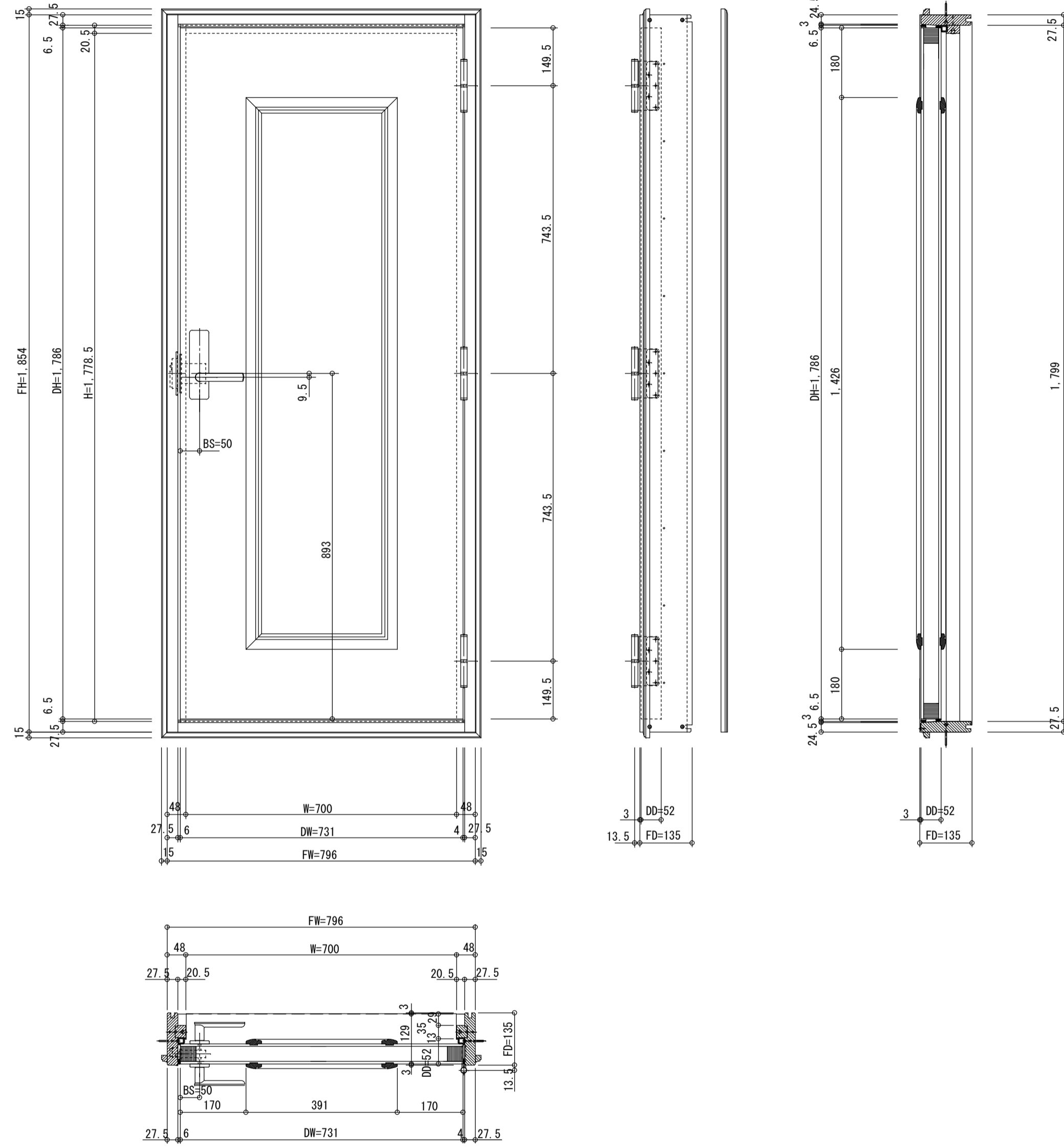
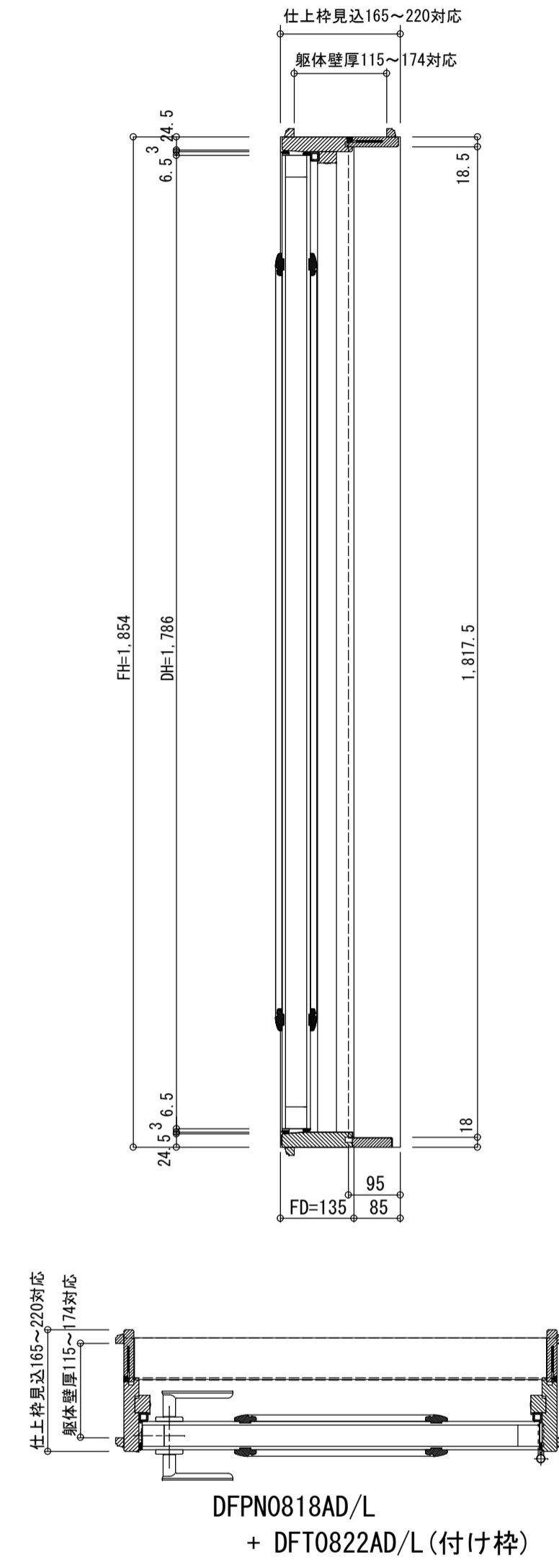


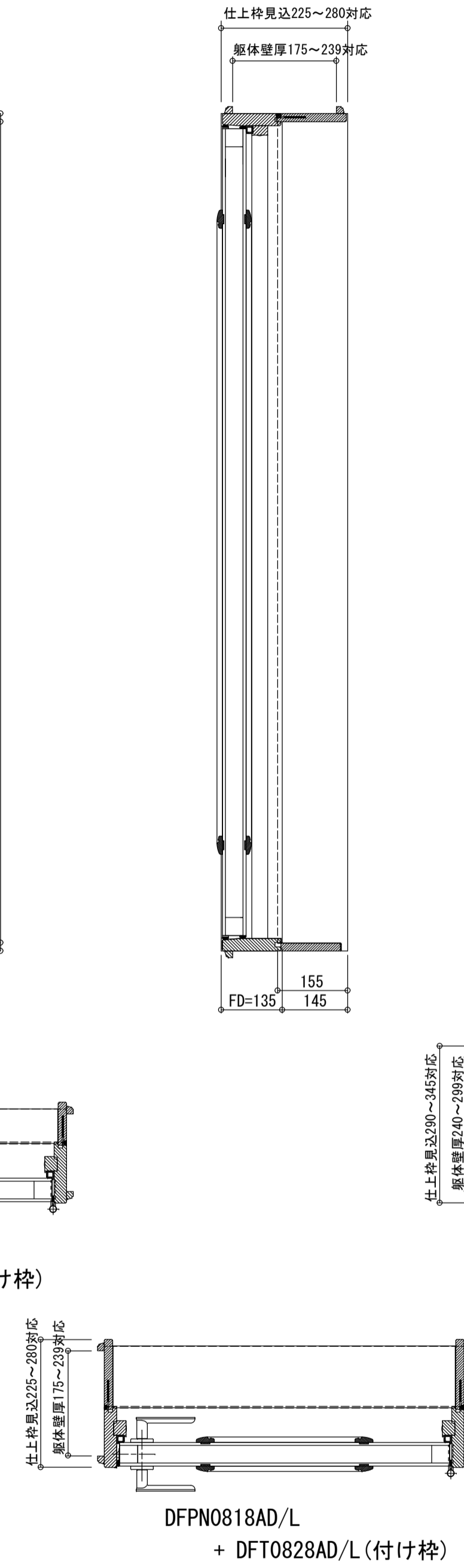
DFPN0818AD/L S=1/10



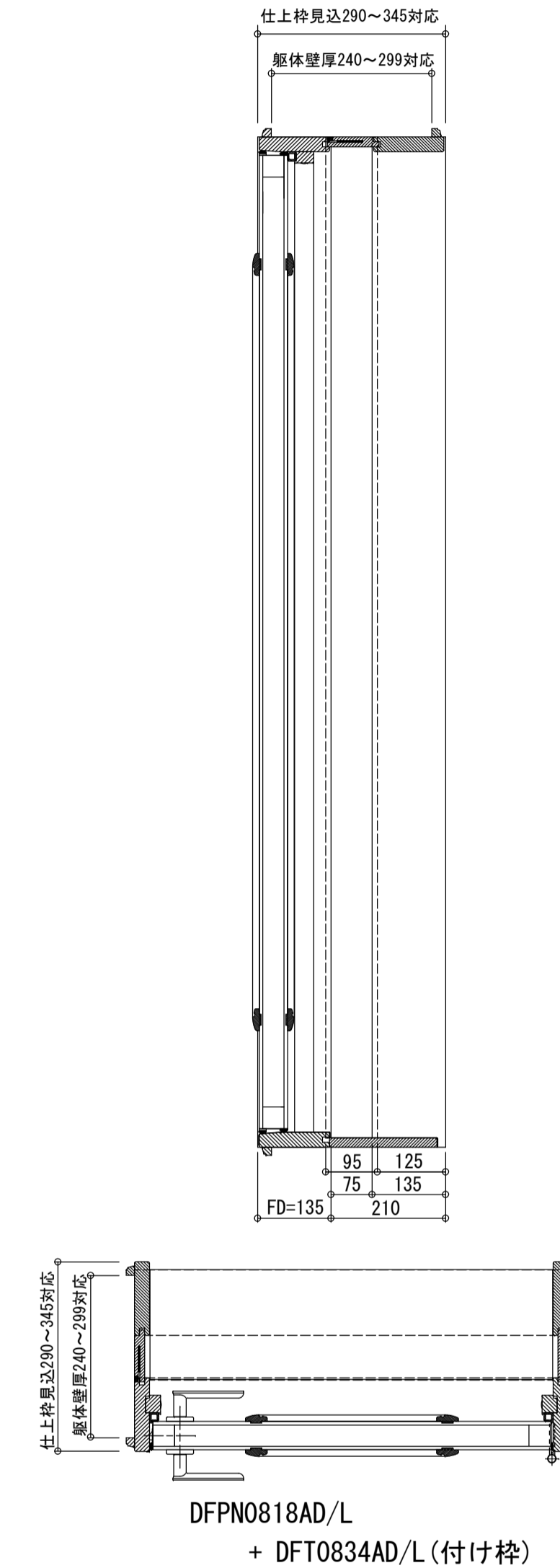
DFPN0818AD/L
+ DFT0822AD/L (付け枠)



DFPN0818AD/L
+ DFT0828AD/L (付け枠)



DFPN0818AD/L
+ DFT0834AD/L (付け枠)



DFPN0818AD/L
+ DFT0840AD/L (付け枠)

